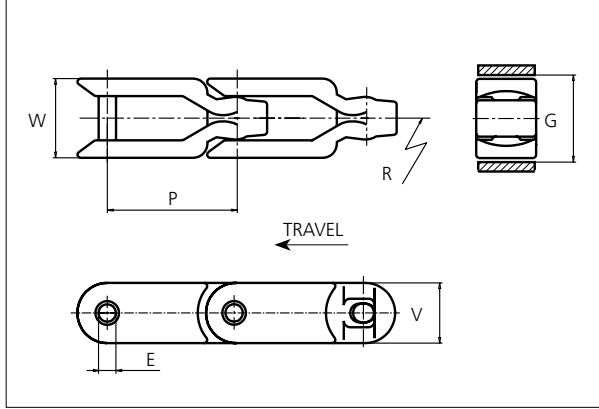


# uni Flex Plastic Chain

Series **uni 1400** Type -



**uni Flex Plastic Chain**  
 Side flexing chain  
 Pitch: 82.5 mm (3.25 in)  
 Backflex radius:  
 75.0 mm (2.90 in)  
 Permissible tensile strength:  
 POM material 8000 N  
 (1798 lbf)  
  
 Standard shipping lengths:  
 boxes of 74 links  
 = 6.105 m (20.0 ft)

STANDARD

E		G		P		V	
mm	in	mm	in	mm	in	mm	in
11.0	0.43	54.0	2.13	82.5	3.25	38.0	1.50

All dimensions are for chains in POM material.

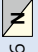
Width (W)		Material & color	Pin material	Weight		Min. radius (R)	
mm	in			kg/m	lb/ft	mm	in
50.0	1.97	POM-D	SS304	2.1	1.41	450	17.72

Non standard material and color: See uni Material and Color Overview.  
 Non standard pin material: See uni Material and Color Overview.

SIDE FLEXING

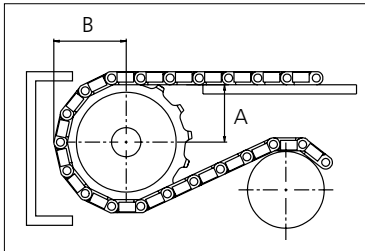
PITCH 82.5 MM/3.25 IN

## Sprocket

No of teeth	Pitch diameter		Overall-diameter		Min. ø bore		Max. ø bore		Hub-diameter		Dimension A		Dimension B		Machined 
	mm	in	mm	in	mm	in	mm	in	mm	in	mm	in	mm	in	
Z6	164.5	6.48	177.0	7.00	20.0	0.80	40.0	1.60	63.0	2.50	52.5	2.10	101.5	4.00	✓
Z8	215.2	8.47	227.6	9.00	20.0	0.80	50.0	2.00	75.0	2.95	80.6	3.20	126.8	5.00	✓
Z10	266.7	10.50	279.0	11.00	20.0	0.80	50.0	2.00	75.0	2.95	108.0	4.30	152.5	6.00	✓

Non standard material and color:  
See uni Material and Color Overview.

### Machined sprocket



Please ensure that sufficient size shaft and keyway are chosen for corresponding load.

Other sprocket sizes are available upon request  
Width of tooth: 15.0 mm/0.59 in  
Width of sprocket: 42.3 mm/1.67 in  
uni Retainer Rings: See uni Retainer Ring data sheet



Conveyor Belts



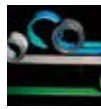
Seamless Belts



Modular Belts



Timing Belts



Transmission Belts



Fabrication & service