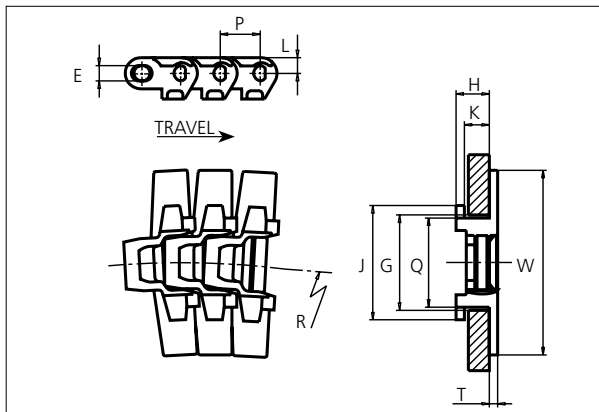


Slat Top Plastic Chain

Series **uni 440** Type **Tab**



Slat Top Plastic Chain
 Side flexing chain
 Pitch: 19.1 mm (0.75 in)
 Backflex radius:
 12.5 mm (0.5 in)
 Permissible tensile strength:
 POM material:
 1100 N (247 lbf)

 Standard shipping lengths:
 boxes of 160 links
 = 3.048 m (10.0 ft)

| E | | G | | H | | J | | K | | L | | P | | Q | | T | |
|-----|------|------|------|------|------|------|------|------|------|-----|------|------|------|------|------|-----|------|
| mm | in | mm | in | mm | in | mm | in | mm | in | mm | in | mm | in | mm | in | mm | in |
| 7.4 | 0.29 | 44.5 | 1.75 | 15.9 | 0.63 | 55.0 | 2.17 | 11.9 | 0.47 | 7.5 | 0.30 | 19.1 | 0.75 | 42.9 | 1.69 | 4.0 | 0.16 |

All dimensions are for chains in POM material.

| | Width (W) | | Material & color | Pin material | Weight | | Min. radius (R) | |
|-------------|-----------|------|------------------|--------------|--------|-------|-----------------|------|
| | mm | in | | | kg/m | lb/ft | mm | in |
| K250 | 63.5 | 2.50 | POM-LF BR | SS304 | 1.2 | 0.81 | 175 | 6.89 |
| K325 | 82.6 | 3.25 | POM-LF BR | SS304 | 1.3 | 0.87 | 175 | 6.89 |
| K350 | 88.9 | 3.50 | POM-LF BR | SS304 | 1.3 | 0.87 | 175 | 6.89 |
| K450 | 114.3 | 4.50 | POM-LF BR | SS304 | 1.4 | 0.94 | 175 | 6.89 |
| K750 | 190.5 | 7.50 | POM-LF BR | SS304 | 1.6 | 1.07 | 175 | 6.89 |

Non standard material and color: See uni Material and Color Overview.

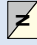
Non standard pin material: See uni Material and Color Overview.

STANDARD

SIDE FLEXING

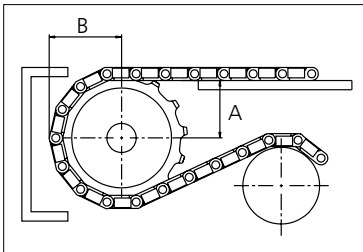
PITCH 19.1 MM/0.75 IN

Sprocket

| No of teeth | Pitch diameter | | Overall diameter | | Min. ϕ bore | | Max. ϕ bore | | Hub diameter | | Dimension A | | Dimension B | |  Machined PAG |
|-------------|----------------|------|------------------|------|------------------|------|------------------|------|--------------|------|-------------|------|-------------|------|---|
| | mm | in | mm | in | mm | in | mm | in | mm | in | mm | in | mm | in | |
| Z9 | 55.8 | 2.20 | 57.0 | 2.20 | 10.0 | 0.40 | 25.0 | 1.00 | 37.0 | 1.50 | 29.8 | 1.20 | 35.6 | 1.40 | ✓ |
| Z12 | 73.8 | 2.91 | 76.0 | 3.00 | 10.0 | 0.40 | 30.0 | 1.20 | 56.0 | 2.20 | 39.2 | 1.50 | 44.5 | 1.80 | ✓ |
| Z20 | 122.1 | 4.81 | 125.3 | 4.90 | 18.0 | 0.70 | 70.0 | 2.80 | 105.0 | 4.10 | 63.8 | 2.50 | 68.6 | 2.70 | ✓ |

Non standard material and color:
See uni Material and Color Overview.

Machined sprocket



Please ensure that sufficient size shaft and keyway are chosen for corresponding load.

Other sprocket sizes are available upon request
 Width of tooth: 15.8 mm/0.60 in
 Width of sprocket: 25.0 mm/0.10 in
 uni Retainer Rings: See uni Retainer Ring data sheet



Conveyor Belts



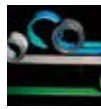
Seamless Belts



Modular Belts



Timing Belts



Transmission Belts



Fabrication & service