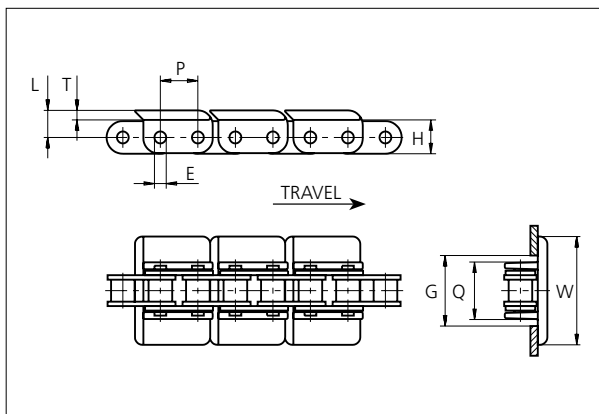


# Snap-On Plastic Chain

Series **uni 843** Type -



**Snap-On Plastic Chain**  
 Straight running chain  
 Pitch: 12.7 mm (0.50 in)  
 Backflex radius: 100.0 mm (3.90 in)  
 Permissible tensile strength:  
 SS304: 1500 N (340 lbf)  
 Carbon steel: 2000 N (450 lbf)  
 Standard shipping lengths:  
 No. of roller chain links/box:  
 480 = 6.096 m (20.0 ft)  
 No. of flights/box:  
 240 = 6.096 m (20.0 ft)  
 uni 843-K325: No. of roller chain links/box: 240 = 3.048 m (10.0 ft)  
 No. of flights/box:  
 120 = 3.048 m (10.0 ft)

E		G		H		L		P		Q		T	
mm	in	mm	in	mm	in	mm	in	mm	in	mm	in	mm	in
4.0	0.16	20.5	0.81	11.5	0.45	9.1	0.36	12.7	0.50	19.1	0.75	3.2	0.13

All dimensions are for chains in POM material.

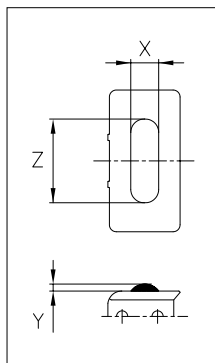
All Snap-On versions can be delivered either with a stainless steel chain (SS304) or a carbon steel chain.

	Width (W)		Recommended flight material & color	Recommended chain material	Weight	
	mm	in			kg/m	lb/ft
<b>K100</b>	25.4	1.00	POM-D <b>G</b> POM-LF <b>BR</b>	SS304 or Carbon steel	0.8	0.54
<b>K138</b>	34.9	1.37	POM-D <b>G</b> POM-LF <b>BR</b>	SS304 or Carbon steel	0.8	0.54
<b>K144</b>	36.4	1.43	POM-D <b>G</b> POM-LF <b>BR</b>	SS304 or Carbon steel	0.8	0.54
<b>K175</b>	44.4	1.75	POM-D <b>G</b> POM-LF <b>BR</b>	SS304 or Carbon steel	0.8	0.54
<b>K200</b>	50.8	2.00	POM-D <b>G</b> POM-LF <b>BR</b>	SS304 or Carbon steel	0.9	0.60
<b>K250</b>	63.5	2.50	POM-D <b>G</b> POM-LF <b>BR</b>	SS304 or Carbon steel	0.9	0.60
<b>K325</b>	82.6	3.25	POM-D <b>G</b> POM-LF <b>BR</b>	SS304 or Carbon steel	1.0	0.67

Non standard material and color: See uni Material and Color Overview.

## Accessories

### Rubber Top



When ordering, please state the required distance between the Rubber Top.

Other Non Standard rubber profiles: See uni Rubber Profile Overview.

Width	Link material	Rubber material	Z		X		Y	
			mm	in	mm	in	mm	in
<b>K100</b>	POM-LF <b>BR</b>	05 <b>I</b>	12.0	0.47	10.0	0.39	2.5	0.10
<b>K138</b>	POM-LI <b>BR</b>	05 <b>I</b>	25.0	0.98	10.0	0.39	2.5	0.10
<b>K144</b>	POM-LF <b>BR</b>	05 <b>I</b>	30.0	1.18	10.0	0.39	2.5	0.10
<b>K175</b>	POM-LF <b>BR</b>	05 <b>I</b>	30.0	1.18	10.0	0.39	2.5	0.10
<b>K200</b>	POM-LF <b>BR</b>	05 <b>I</b>	30.0	1.18	10.0	0.39	2.5	0.10
<b>K250</b>	POM-LF <b>BR</b>	05 <b>I</b>	30.0	1.18	10.0	0.39	2.5	0.10
<b>K325</b>	POM-LF <b>BR</b>	05 <b>I</b>	30.0	1.18	10.0	0.39	2.5	0.10

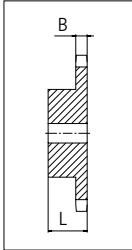
NON STANDARD

STRAIGHT RUNNING

PITCH 12.7 MM/0.50 IN

## Sprocket

No. of teeth	Pitch diameter		Hub diameter		Overall width L		Tooth width B		tBore		Machined S1045
	mm	in	mm	in	mm	in	mm	in	mm	in	
<b>Z18</b>	73.1	2.88	56.0	2.20	28.0	1.10	7.2	0.28	12.0	0.47	✓
<b>Z25</b>	101.3	3.99	70.0	2.76	28.0	1.10	7.2	0.28	14.0	0.55	✓



**Please ensure that sufficient size shaft and keyway are chosen for corresponding load.**

Non standard material and color:  
See uni Material and Color Overview.

Other sprocket sizes are available upon request  
uni Retainer Rings: See uni Retainer Ring data sheet



Conveyor Belts



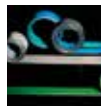
Seamless Belts



Modular Belts



Timing Belts



Transmission Belts



Fabrication & service

**Ammeraal Beltech Modular A/S**  
Hjulmagervej 21  
DK-7100 Vejle